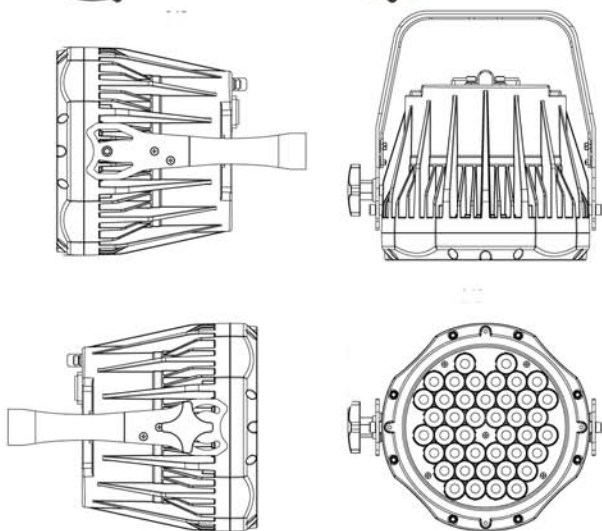


# COLORado™ 1 Tour

## SPECIFICATIONS & FEATURES

CHAUVET®



### AT A GLANCE:

#### RGBW Color Mixing



#### Key Features:

- RGBW Color Mixing
- PowerCon™ Connectors
- Direct DMX Connections
- 5 Distinct Dimming Curves
- Color temperature presets



#### About this light:

The COLORado™ 1 Tour is a 3, 4, 5, 6, or 11-channel LED wash light. The luminaire features RGBW color mixing from 42 1 W red, green, blue and white LEDs

Perfectly suited for touring or installation the COLORado™ 1 Tour is the direct result of listening to customers wants and needs. In place of an IP66 rating, the COLORado™ 1 Tour features PowerCon™ connectors for power in and out as well as direct DMX connections. Also added are white LEDs for more vibrant colors and more precise color temperature. 5 selectable dimming curves were added to mimic those of conventional lighting sources and insure consistent fade out cues. Like all COLORado™ fixtures, the COLORado™ 1 Tour is also flicker free and safe for video use.

### DETAILED SPECIFICATIONS:

#### FEATURES

- 3, 4, 5, 6, or 11-channel RGBW LED wash light
- Operating modes
  - 3-channel: RGB control
  - 3-channel: HSV control
  - 4-channel: RGB, dimmer
  - 4-channel: RGBW
  - 5-channel: RGBW, dimmer
  - 6-channel: RGBW, dimmer, strobe
  - 11-channel: RGBW, ID addressing, dimmer, strobe, macro, auto/custom, d
- RGBW color mixing with or without DMX control
- Color temperature presets (3,200 K~10,000 K)
- Built-in automated programs via master/slave, DMX
- Recall custom programs via master/slave or DMX
- 5 distinct dimming curves
- 3-pin DMX input and output connectors, 5-pin available
- Additional power output: max 13 units @ 120 V, 25 units @ 230 V
- LED display with password protection
- Gel frame holder (4 mm max thickness)
- Double-bracket yoke doubles as floor stand
- Neutrik® powerCON™ connector

#### OPTIONS:

- Optical systems: 30° lenses, Color Blending Filter (1°, 5° or 10°)

#### SPECIFICATIONS

- Installed optics: 15°
- Beam angle: 13°
- Field angle: 27°
- Lux: 1,075 @ 5 m
- Light source: 42 x 1 W LEDs, 50,000 hrs (12 x 350 mA red, 12 x 350 mA green, 12 x 350 mA blue, 6 x 350 mA white)
- Power and current: 120 V, 60 Hz; 70 W, 0.58 A (operating)  
230 V, 50 Hz; 70 W, 0.31 A (operating)
- AC power: Auto-ranging 100~240 V 50/60 Hz
- Weight: 9.8 lbs / 4.5 kg
- Size: 8 x 9.6 x 11.4 in / 205 x 245 x 290 mm

www.chauvetlighting.com  
www.chauvetlighting.co.uk

CHAUVET®