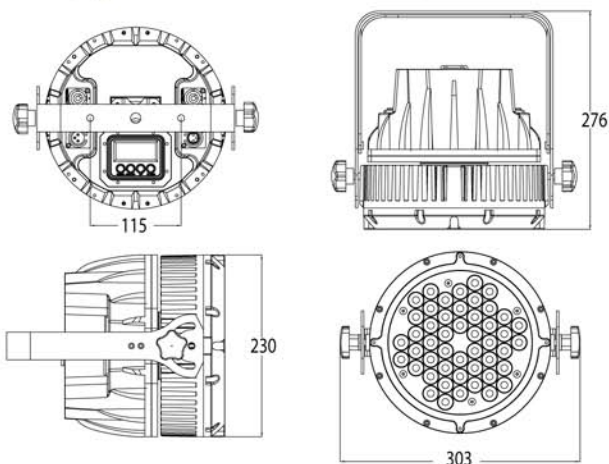


COLORado™ 2 Tour

SPECIFICATIONS & FEATURES

CHAUVET®



AT A GLANCE:

RGBW Color Mixing



Key Features:

- RGBW Color Mixing
- PowerCon™ Connectors
- Direct DMX Connections
- 5 Distinct Dimming Curves
- Color temperature presets

About this light:

The COLORado™ 2 Tour is a 3, 4, 5, 6, 9 or 11-channel LED wash light. The luminaire features RGBW color mixing from 48 2-3 W red, green, blue and white LEDs

Perfectly suited for touring or installation the COLORado™ 2 Tour is the direct result of listening to customers wants and needs. In place of an IP66 rating, the COLORado™ 2 Tour features PowerCon™ connectors for power in and out as well as direct DMX connections. Also added are white LEDs for more vibrant colors and more precise color temperature. 5 selectable dimming curves were added to mimic those of conventional lighting sources and insure consistent fade out cues. Like all COLORado™ fixtures, the COLORado™ 2 Tour is also flicker free and safe for video use.

DETAILED SPECIFICATIONS:

CONTROL FEATURES

- 3, 4, 5, 6, 9, or 11-channel RGBW wash light
- Operating modes
 - 3-channel: RGB control
 - 3-channel: HSV control
 - 4-channel: RGBW control
 - 4-channel: RGB, dimmer
 - 5-channel: RGBW, dimmer
 - 6-channel: RGBW, dimmer, strobe
 - 9-channel: RGBW, ID addressing, dimmer, strobe, macro, auto/custom
 - 11-channel: RGBW, ID addressing, dimmer, strobe, macro, auto/custom, dimmer speed, auto speed
- Color temperature presets (3,200 K ~ 10,000 K)
- Built-in automated programs via DMX
- Recall custom programs via DMX
- RGBW color mixing with or without DMX control

ADDITIONAL FEATURES

- 5 distinct dimming curves
- Additional power output: max 5 units @ 120 V
- Adjustable barn doors to direct output (includes gel frame)
- LED display with lock-out feature
- PowerCon™ connector
- 3-pin DMX input and output connectors

SPECIFICATIONS

- Installed optics : 15° Optional optics: 30°
- Beam angle: 11° Beam angle: 28°
- Field angle: 23° Field angle: 57°
- Lux: 2,409 @ 5 m Lux: 408 @ 5 m
- Light source: 48 x 2 ~ 3 W LEDs 50,000 hrs (12 x 750 mA red, 12 x 1,000mA green, 12 x 1,000 mA blue, 12 x 1,000 mA white)
- Power and current: 120V, 60Hz; 166 W, 1.39 A operating, 1.3 A (inrush) 230V, 50Hz; 160 W, 0.74 A operating, 0.8 A (inrush)
- AC power: Auto-ranging 100 V ~ 240 V 50/60 Hz
- Power input cable: 60 in (1,524 mm)
- Weight: 20 lbs / 9.1 kg
- Size: 9 x 11.9 x 10.9 in / 230 x 303 x 276 mm

OPTIONS

- Optical systems: 30° (CLENS3048)

www.chauvetlighting.com
info@chauvetlighting.com

CHAUVET®