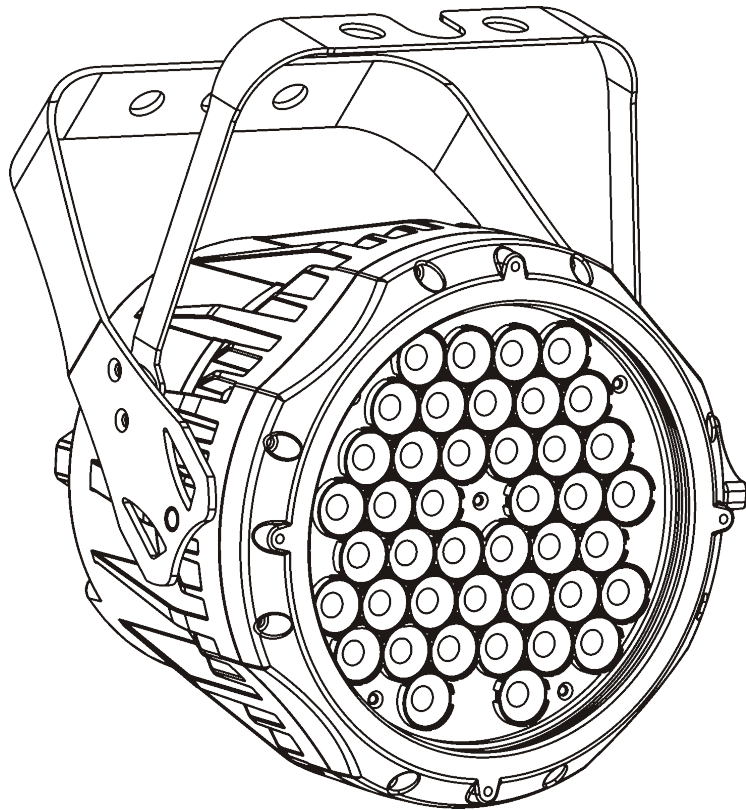


COLORADO™ 1VW TOUR

User Manual




CHAUVET®

Edition Notes

The COLORado™ 1 VW Tour User Manual Rev. 01d covers the description, safety precautions, installation, programming, operation, and maintenance of the COLORado™ 1 VW Tour. CHAUVET® released this edition of the COLORado™ 1 VW Tour User Manual Rev. 01d in October 2010.

Trademarks

CHAUVET® is a registered trademark of CHAUVET & Sons Inc. (d/b/a CHAUVET® or Chauvet). The CHAUVET® logo in its entirety including the Chauvet name and the dotted triangle, and all other trademarks on this manual pertaining to services, products, or marketing statements (example: It's Green Thinking™) are owned or licensed by CHAUVET®. Any other product names, logos, brands, company names, and other trademarks featured or referred to within this document are the property of their respective trademark holders.

Copyright Notice

CHAUVET® owns the content of this user manual in its entirety, including but not limited to pictures, logos, trademarks, and resources.

© Copyright 2010 CHAUVET®. All rights reserved

Electronically published by CHAUVET® in the United States of America

Manual Usage

CHAUVET® authorizes its customers to download and print this manual for professional information purposes only. CHAUVET® expressly prohibits the usage, copy, storage, distribution, modification, or printing of this manual or its content for any other purpose without its written consent.

Document Printing

For better results, print this document in color, on letter size paper (8.5 x 11 inches), double sided. If using A4 paper (210 x 297 mm), configure your printer to scale the content of this document to A4 paper.

Intended Audience

Any person in charge of installing, operating, and/or maintaining the COLORado™ 1 VW Tour should read the guide that shipped with it as well as this manual in their entirety before installing, operating, or maintaining this product.

Disclaimer

CHAUVET® believes that the information contained in this manual is accurate in all respects. However, CHAUVET® assumes no responsibility for any error or omissions in this document. CHAUVET® reserves the right to revise this document and to make changes from time to time in the content hereof without obligation of CHAUVET® to notify any person or company of such revision or changes. This does not constitute in any way a commitment by CHAUVET® to make such changes. CHAUVET® may issue a revision of this manual or a new edition of it to incorporate such changes.

CHAUVET® Publications Hot Line

If you have any comments about the accuracy of this document or general suggestions regarding how we can improve it, please call us at (800) 762-1084 (US callers) or +1-954-929-1115 (international callers). You can download the latest versions of all CHAUVET® products' manuals from www.chauvetlighting.com.

Document Revision

The COLORado™ 1 VW Tour User Manual Rev. 01d supersedes all previous versions of this manual. Please discard any older versions of this manual you may have, whether in printed or electronic format, and replace them with this version.

Author	Editor	Manager	PD Manager
O. Desmonteix	D. Couppe	M. Graham	F. Sellers

Product at a Glance











Use on Dimmer		Auto Programs	
Outdoor Use		Auto-ranging Power Supply	
Sound Activated		Replaceable Fuse	
DMX		User Serviceable	
Master/Slave		Duty Cycle	

Table of Contents

1. Before You Begin	1
What is Included	1
Unpacking Instructions	1
Typographic Conventions	1
Icons Conventions	1
Safety Notes	2
Expected LED Lifespan	2
2. Introduction	3
Product Description	3
Features	3
<i>Additional Features</i>	3
<i>Options</i>	3
DMX Channel Summary	4
Product Overview	5
3. Setup	6
AC Power	6
<i>AC Plug</i>	6
<i>Power Linking</i>	6
<i>Fuse Replacement</i>	6
DMX Linking	7
<i>DMX Modes</i>	7
<i>Master/Slave Connectivity</i>	7
ID Addressing	7
Mounting	8
<i>Orientation</i>	8
<i>Rigging</i>	8
4. Operation	9
Control Panel Description	9
Control Options	9
Programming	9
<i>DMX Personality</i>	9
<i>DMX Control Without ID Addressing</i>	9
<i>DMX Control With ID Addressing</i>	10
<i>Static Mode</i>	10
<i>Master/Slave</i>	10
<i>Dimmer Curves</i>	10
<i>Control Panel Lock</i>	11
<i>Static Settings Upload</i>	11
<i>Reset</i>	11
<i>Whites Setting</i>	11
STD.2 Notes	12
<i>Master Dimmer</i>	12
<i>Warm White & Cool White Selection</i>	12
<i>White Macros</i>	12
<i>Strobe</i>	12
<i>ID Address Selection</i>	12
Menu Map	13
DMX Values	14
<i>STD.W</i>	14
<i>STD.D</i>	14
<i>STD.1</i>	14
<i>STD.2</i>	14
<i>UNO</i>	14



5. Technical Information.....	15
General Maintenance	15
Photometrics	15
Troubleshooting Guide	16
Exploded View.....	17
Returns Procedure	18
Claims	18
Contact Us.....	18
Technical Specifications.....	19

1. Before You Begin

What is Included

- One COLORado™ 1 VW Tour
- One power input cable with Edison plug (US)
- One gel frame holder
- One safety cable
- One Warranty Card
- One Quick Reference Guide

Unpacking Instructions




Immediately upon receiving this product, carefully unpack it and check the container in which you received it. Make sure that you have received all the parts indicated above and that they are all in good condition. If the material inside the container (this product, and any other accessory included with it) appears damaged from shipping, or if the container shows signs of mishandling, notify the shipper immediately. In addition, retain the container and all the packing material for inspection.

See the *Claims* section in the *Technical Information* chapter.

Typographic Conventions

Convention	Meaning
1~512	A range of values in the text
50/60	A set of mutually exclusive values in the text
[10]	A DIP switch to be configured
<i>Claims</i>	A new term, or a section or chapter in this document
"COLORado™ UM"	The name of another publication or manual
<SET>	A button on the fixture's control panel
Settings	A fixture function or a menu option
MENU > Settings	A sequence of menu options
1~10	A range of menu values from which to choose in a menu
Yes/No	A set of two mutually exclusive menu options in a menu
ON	A unique value to entered or select in a menu

Icons Conventions

Icon	Meaning
	This icon indicates critical installation, configuration, or operation information. Failure to comply with this information may render the fixture partially or completely inoperative, damage third-party equipment, or cause harm to the user.
	This icon indicates important installation or configuration information. Failure to comply with this information may prevent the fixture from functioning correctly.
	This icon indicates useful, although non-critical information.



The term "DMX" used throughout this document refers to the USITT DMX512-A transmission protocol.

Safety Notes

Please read the following notes carefully because they include important safety information about the installation, usage, and maintenance of this product.

It is important to read all these notes before starting to work with this product.



There are no user serviceable parts inside this product. Any reference to servicing it you may find from now on in this User Manual will only apply to properly CHAUVET® certified technicians. Do not open the housing or attempt any repairs unless you are one of them.



Please refer to all applicable local codes and regulations for the proper installation of this product.



Keep this manual for future consultation. If you sell this product to another user, make sure that they also receive this manual.

Personal Safety

- Avoid direct eye exposure to the light source while the fixture is on.
- Always disconnect this product from its power source before servicing.
- Always connect this product to a grounded circuit to avoid the risk of electrocution.
- Do not touch this product's housing when operating because it may be very hot.

Mounting and Rigging

- This product is for indoor use only! To prevent risk of fire or shock, do not expose this product to rain or moisture.
- Make sure there are no flammable materials close to this product while operating.
- When hanging this product, always secure it to a fastening device using a safety chain/cable (included).

Power and Wiring

- Always make sure that you are connecting this product to the proper voltage, as per the specifications in this manual or on the product's sticker.
- Never connect this product to a dimmer pack or rheostat.
- Make sure the product's housing, or power cable are not cracked, crimped, or damaged.
- Never disconnect this product by pulling or tugging on the power cable.

Operation

- Do not operate this fixture if you see damage on the housing, lenses, ultraviolet filter, or cables; have the damaged parts replaced by an authorized technician at once.
- Do not cover the ventilation slots when the fixture is operating to avoid internal overheating.
- The maximum ambient temperature (Ta) is 104° F (40° C). Do not operate this product at a higher temperature.
- In case of a serious operating problem, stop using this product immediately!



In the unlikely event that your CHAUVET® product may require service, please contact CHAUVET® Technical Support.

Expected LED Lifespan

LEDs gradually decline in brightness over time, mostly because of heat. Packaged in clusters, LEDs exhibit higher operating temperatures than in ideal, single LED conditions. For this reason, using clustered LEDs at their fullest intensity significantly reduces the LEDs' lifespan. Under normal conditions, this lifespan can be of 40,000 to 50,000 hours. If extending this lifespan is vital, lower the operational temperature by improving the fixture's ventilation and reducing the external temperature. In addition, limiting the overall projection intensity may also help to extend the LEDs' lifespan.

2. Introduction

Product Description

The COLORado™ 1 VW Tour is an indoor variable white wash light based on 42 white LEDs. It consists of a single pod with a double bracket mounting yoke. The AC power comes into the fixture's housing through a NEUTRIK® powerCON A socket. The power linking uses a NEUTRIK® powerCON B socket. The DMX input and output sockets are of the 3-pin XLR type. The COLORado™ 1 VW Tour uses a display-based control panel for programming functions.

Features

- 1, 2, 3, or 6-channel white LED wash light with ID addressing
- Operating modes:
 - 1-channel: Dimmer
 - 2-channel: Warm white, cool white
 - 2-channel: Macros, dimmer
 - 3-channel: Warm white, cool white, dimmer
 - 6-channel: Warm white, cool white, dimmer, strobe, macro, ID addressing
- Color temperature mixing with or without DMX controller
- Color temperature presets (3,200~5,600 K)

Additional Features

- Five distinct dimming curves
- 3-pin DMX input and output connectors
- Power linking: max 12 units @ 120 V
- LED display with password protection
- Gel frame holder (4 mm max thickness)
- Double-bracket yoke that doubles as floor stand
- NEUTRIK® powerCON power input and output connectors

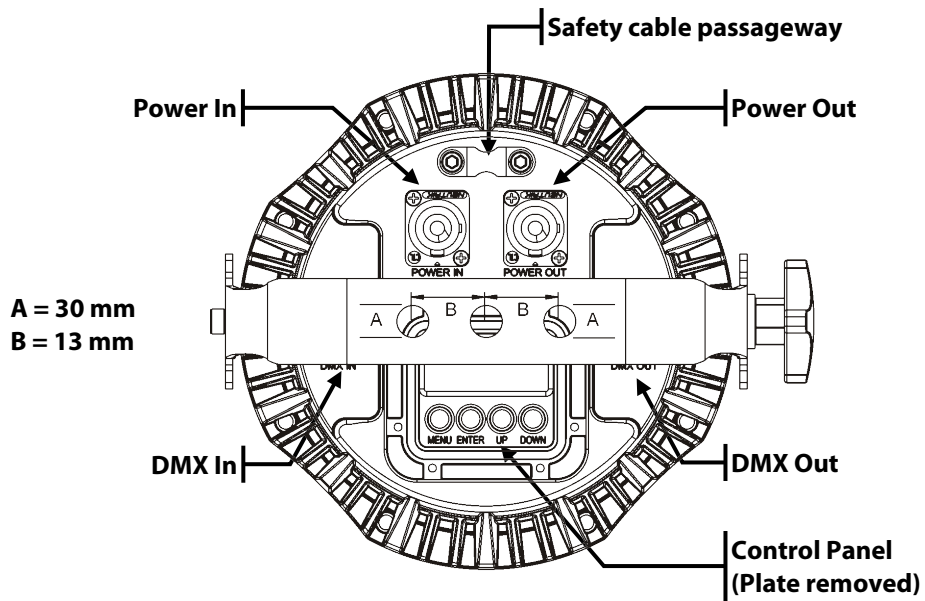
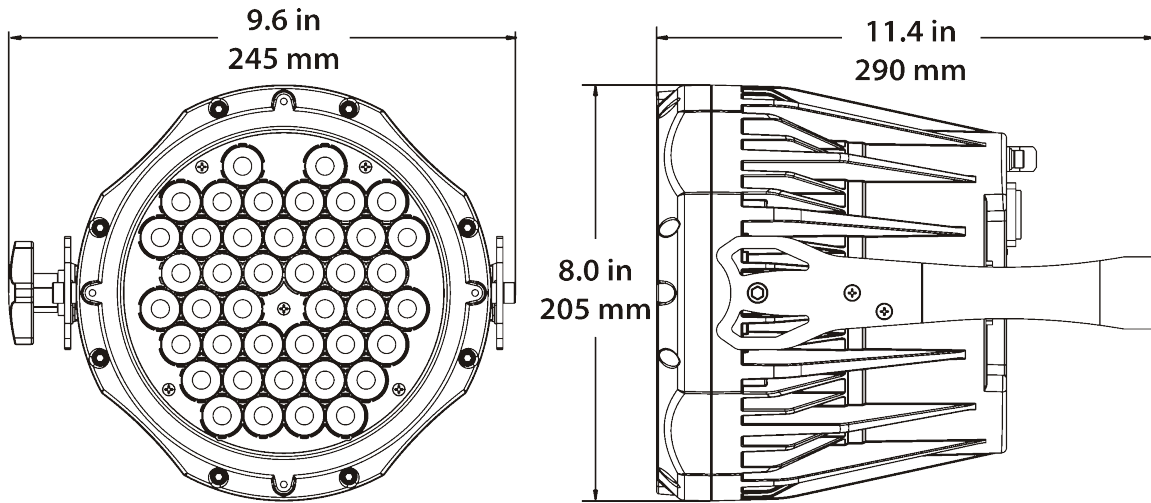
Options

- Optional 15° lenses, P/N: **CLENS1542** (30° lenses already installed)

DMX Channel Summary

STD.1	DMX Channel	Function
	1	Master Dimmer
	2	White Macros
STD.2	DMX Channel	Function
	1	Master Dimmer
	2	Warm White
	3	Cool White
	4	White Macros
	5	Strobe
STD.D	DMX Channel	Function
	1	Master Dimmer
	2	Warm White
STD.W	DMX Channel	Function
	1	Warm White
UNO	DMX Channel	Function
	1	Static mode

Product Overview



3. Setup

AC Power

The COLORado™ 1 VW Tour has an auto-ranging power supply that can work with an input voltage range of 100–240 VAC, 50/60 Hz.

Make sure that you are connecting this product to the proper voltage, as per the specifications in this guide, the product's user manual, or on the product's sticker.



Always connect the COLORado™ 1 VW Tour to a protected circuit with an appropriate electrical ground to avoid the risk of electrocution or fire.

To determine the power requirements for the COLORado™ 1 VW Tour see the label affixed to the side of the fixture. Alternatively, you may refer to the corresponding specifications chart in the *Technical Information* chapter of this manual.

The listed current rating indicates the maximum current draw during normal operation. For more information, you may download the “Sizing the Circuit Breakers” document from the CHAUVET® Web site.



Never connect the COLORado™ 1 VW Tour to a rheostat (variable resistor) or dimmer circuit, even if the rheostat or dimmer channel serves only as a 0 to 100% switch.

AC Plug

The COLORado™ 1 VW Tour comes with a power input cord terminated with a NEUTRIK® powerCON A connector on one end an Edison plug on the other end (US market). If the power cord that came with your fixture has no plug or you need to change the Edison plug, use the table below to wire the new plug.

Connection	Wire (US)	Wire (Europe)	Screw Color
AC Live	Black	Brown	Yellow or Brass
AC Neutral	White	Blue	Silver
AC Ground	Green/Yellow	Green/Yellow	Green

Power Linking

The COLORado™ 1 VW Tour supports power linking for up to 12 other COLORado™ 1 VW Tour fixtures at 120 VAC. Each COLORado™ 1 VW Tour has NEUTRIK® powerCON sockets for Power In and Power Out. Although the fixture comes with a power input cord, it comes with no power linking cord.

Fuse Replacement

The COLORado™ 1 VW Tour fixture has no external fuse that the user can change. However, it does have an internal fuse that only an authorized CHAUVET® technician should change.

DMX Linking

You may link any COLORado™ 1 VW Tour fixture to a DMX controller using a standard DMX serial connection. If using other DMX compatible fixtures with a COLORado™ 1 VW Tour fixture, it is possible to control them individually with a single DMX controller.

If you are not familiar with the DMX standard, or if you need information about the DMX cables needed to link the COLORado™ 1 VW Tour fixture to a DMX controller, you may download the “DMX Primer” document from the CHAUVET® Web site.

DMX Modes

The COLORado™ 1 VW Tour uses the standard DMX data connection for its DMX modes, **STD.1**, **STD.2**, **STD.W**, **STD.D**, and **UNO**. You will find information about these DMX modes in the *Introduction* chapter (brief description), the *Operation Instructions* chapter (configuration details), and the *DMX Values* section (individual channel values).

Master/Slave Connectivity

The Master/Slave mode allows a COLORado™ 1 VW Tour fixture to control one or more a COLORado™ 1 VW Tour fixtures of the same type without a DMX controller. The controlling fixture becomes the “master” by being in STATIC mode. The controlled fixtures are the “slaves” and you must set them to “SLAVE” mode from their respective control panels. During the Master/Slave operation, the slave fixtures will operate in unison with the master fixture.

The master and slave fixtures link to each other using the standard DMX serial connection. If you are not familiar with the Master/Slave connectivity, you may download the “DMX Primer” document from the CHAUVET® Web site.



DO NOT connect a DMX controller to the fixtures operating in Master/Slave mode. Otherwise, the signals from the DMX controller may interfere with the signals from the master unit.



The *Operation* chapter of this manual provides detailed instructions on how to configure the Master and Slave units.

ID Addressing

The COLORado™ 1 VW Tour uses the ID Addressing feature to increase the number of addressable fixtures in the same DMX universe when in the **STD.2** personality. Refer to the *Operation* chapter in this manual to learn in detail how to configure the COLORado™ 1 VW Tour fixtures when using ID Addressing. If you are not familiar with the various connection methods when using ID Addressing, you may download the “DMX Primer” document from the CHAUVET® Web site.

Mounting

Before mounting this fixture, read and follow the safety recommendations indicated in the *Safety Notes* section (page 2 of this manual).

Orientation

Always mount this fixture in any safe position while making sure that there is adequate room around it for ventilation, configuration, and maintenance.

Make sure to mount this fixture away from any flammable material as indicated in the *Safety Notes* section.

Rigging

The COLORado™ 1 VW Tour consists of a sealed housing with a double bracket mounting yoke. It has two DMX signal sockets (DMX In/DMX Out), and two NEUTRIK® powerCON connectors (Power In/Power Out).

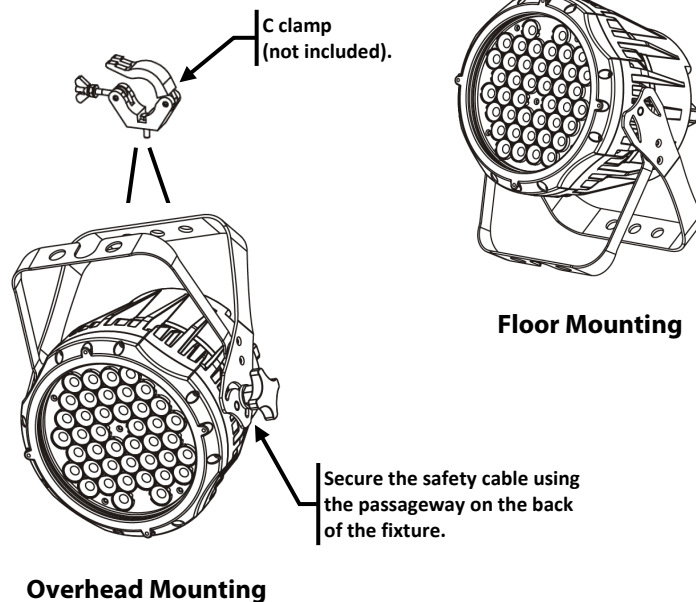
CHAUVET® recommends following the general guidelines below when mounting the COLORado™ 1 VW Tour.

- When selecting an installation location, consider ease of access to the fixture for operation, programming adjustments, and routine maintenance.
- Never mount the fixture in places where rain, high humidity, extreme temperature changes, or restricted ventilation may affect it.
- If hanging this fixture, make sure that the location where you are mounting the fixture can support its weight. Please see the *Technical Specifications* section of this manual for the weight requirement of this fixture.

Procedure

This fixture includes a mounting yoke to which you can attach one or two rigging clamps. You must supply your own “C” or “O” clamps and make sure that they are capable of supporting the weight of this fixture. CHAUVET® recommends using at least two mounting points per fixture.

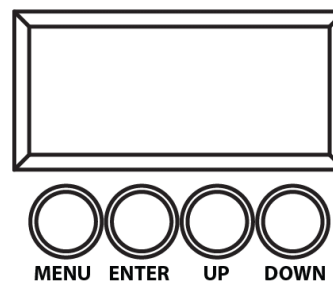
Product Mounting
Diagram



4. Operation

Control Panel Description

Button	Function
<MENU>	Exits from the current menu or function
<ENTER>	Enables the currently displayed menu or sets the currently selected value in to the current function
<UP>	Navigates upwards through the menu list and increases the numeric value when in a function
<DOWN>	Navigates downwards through the menu list and decreases the numeric value when in a function



Control Options

You can set the COLORado™ 1 VW Tour start address in the 001~512 DMX range. This allows for the control of up to 85 fixtures in the 6-channel **STD.2** personality. In addition, the ID address system allows you to assign up to 66 fixtures within the same DMX address, thus multiplying the number of fixtures you can control within a single universe. You can access the fixture's ID address system from channel **6** when in the **STD.2** personality.



When programming live performances as well as cues that need to trigger on demand or on a time line, program no more than 10 fixtures on ID addressing per DMX channel. This is to remain within a one-second execution time.

Programming

Carry out all the programming procedures indicated below from the control panel. Refer to the *Menu Map* on page 13 to learn how the menu options relate to each other.

To go to an option, press <MENU> repeatedly until the option shows on the display.

To select an option value, press <UP> or <DOWN> until you see the desired value and press <ENTER> to accept it.

To exit to the previous menu level, press <MENU>.

DMX Personality

This setting allows the user to choose a particular DMX personality.

- 1) Go to **PERS.**
- 2) Select the desired personality (**STD.1**, **STD.2**, **STD.W**, **STD.D**, or **UNO**).

DMX Control Without ID Addressing

In this mode, each unit will respond to a unique starting address from the DMX controller. All units with the same starting address will respond in unison.

- 1) Select the **STD.2** personality as shown in *DMX Personality*.
- 2) Set the running mode:
 - a) Go to **RUN.**
 - b) Select **DMX.**
- 3) Set the starting address:
 - a) Go to **DMX.**
 - b) Select the starting address (**001~512**).
- 4) Deactivate **ID Addressing** on each fixture:
 - a) Go to **SET > ID.**
 - b) Select **OFF.**



Make sure to deactivate ID Addressing in each fixture when using the STD.1 personality. Otherwise, unintended results may occur if channel 6 is not set to "0".

Continues on the next page

Continued from previous page

DMX Control With ID Addressing

In this mode, the fixtures with the same DMX starting address will respond to the DMX controller based on the fixture's individual ID address setting. If the user selects ID address "0", all the fixtures with the same DMX address will respond in unison. Otherwise, each fixture will follow the control for its particular ID address.

- 1) Repeat steps 1, 2, and 3 from *DMX Control Without ID Addressing*.
- 2) Activate **ID Addressing** in each fixture:
 - a) Go to **SET > ID**.
 - b) Select **ON**.
- 3) Select an ID address for each fixture:
 - a) Go to **ID**.
 - b) Select an ID (**01~66**)

Static Mode

The Static mode allows for permanent white color mixing without a DMX controller.

- 1) Go to **STAT**.
- 2) Select the desired white range (**Warm** or **Cool**).
- 3) Select the desired white range value (**0~255**).
- 4) Repeat for the other white range.
- 5) Select **Strob**.
- 6) Select the desired frequency (**0~20**).

Master/Slave

The Master/Slave mode allows a group of COLORado™ 1 VW Tour fixtures (the slaves) to replicate what another COLORado™ 1 VW Tour fixture (the master) is doing, without a DMX controller.

- 1) Set the Master Unit:
 - a) Set the running mode to **DMX** as explained in "*DMX Control Without ID Addressing*".
 - b) Select a static setting as explained in "*Static Mode*".
- 2) Set the slave units:
 - a) Go to **RUN**.
 - b) Select **SLAV**.



- **The fixture that is set to run in STATIC mode automatically becomes the Master.**
- **Do not connect a DMX controller to the master or slave fixtures.**

Dimmer Curves

This setting determines how the output of the COLORado™ 1 VW Tour follows the position of the Dimmer fader, as well as the Warm White and Cool White faders.

- 1) Go to **SET**.
- 2) Select **Dim**.
- 3) Select a dimmer curve (**Off, Dim1, Dim2, Dim3, or Dim4**).

Setting	Description
OFF	The output is proportional to the faders' position (linear)
Dim1	The output is not proportional (fastest)
Dim2	The output is not proportional (fast)
Dim3	The output is not proportional (slow)
Dim4	The output is not proportional (slowest)

Continues on the next page

Continued from previous page

Control Panel Lock

This setting allows the user to activate or disable the control panel lock, which keeps non-authorized personnel from changing the fixture's settings.

- 1) Go to **KEY**.
- 2) Select **On/ Off**.



When the control panel lock is active, the fixture will prompt the user to enter the password after 30 seconds of control panel inactivity or after turning on the fixture.

After being prompted to enter the password:

- 1) Press **<UP>**, **<DOWN>**, **<UP>**, **<DOWN>**, and **<ENTER>**

Static Settings Upload

This option allows the user to copy the static settings of one COLORado™ 1 VW Tour fixture onto other COLORado™ 1 VW Tour fixtures by using the Master/Slave method.

- 1) Configure and connect the fixtures in a Master/Slave arrangement, where the master unit has the custom programs you want to transfer onto the slave units.
- 2) At the master unit, go to **SET > UPLD**.
- 3) When prompted, enter the master access password as shown in *Control Panel Lock*.
- 4) Wait for the upload process to finish before disconnecting the fixtures.

During and after the upload, the master and slave units will visually indicate the status of the process, as follows:

Color	Meaning
LEDs Off	The upload process is running
Cool White	The upload finished successfully

Reset

This setting allows the user to reset the COLORado™ 1 VW Tour fixture to its default values, including the custom programs.

- 1) Go to **SET > REST**.
- 2) When prompted, enter the master access password as shown in *Control Panel Lock*.
- 3) Wait for the reset process to finish.

Whites Setting

This setting allows the user to edit the temperature of the six white macros used in the macros channel. The six pre-set white macros are configurable.

- 1) Go to **CAL1**.
- 2) Select a white macro (**WT.01-05**).
- 3) Select a white range (**Warm** or **Cool**).
- 4) Select a white range value (**0-255**).
- 5) Repeat for the other white range.
- 6) Repeat for the other white macros (**WT.01-05**).

STD.2 Notes

These notes intent to clarify the way the STD.2 DMX personality works.

Master Dimmer

- Channel 1 controls the intensity of the currently projected color.
- When the slider is at the highest position (**255**) the intensity of the output is at its maximum.

Warm White & Cool White Selection

- Channels 2 and 3 control the intensity ratio of the Warm White and Cool White LEDs respectively.
- When each of these sliders is at the highest position (**255**), the intensity of the corresponding color is at its maximum.
- You can combine channels 2 and 3 to create over 60,000 shades of white.

White Macros

- Channel 4 selects the required White Macro.
- Channel 4 has priority over channels 2 and 3.
- Channel 1 controls the intensity of the Color Macro.

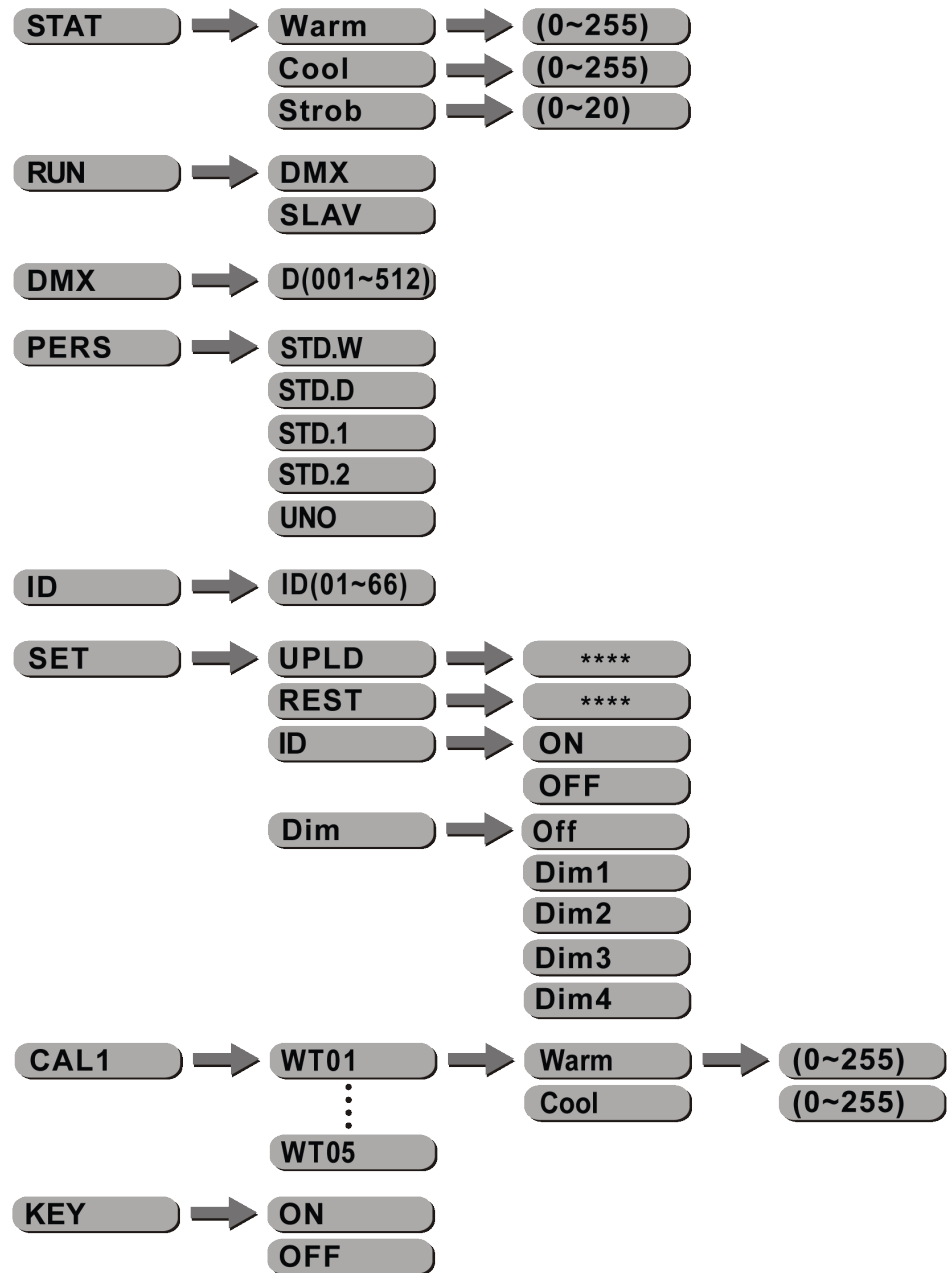
Strobe

- Channel 5 controls the strobe frequency (not the intensity) of channels 2~4.
- Channel 5 strobos channels 2 and 3 when not running macros, allowing the individual faders (Warm White and Cool White) as well as channel 1 (Dimmer) to control the output intensity.
- Channel 5 strobos channel 4 when running macros, allowing channel 4 to select the white macro and channel 1 to control the output intensity

ID Address Selection

- Channel 6 selects the target ID address.
- Each independent DMX address may have up to 66 independent ID addresses.
- An ID address of **0** will activate all ID address locations.

Menu Map



DMX Values

STD.W	Channel	Function	Value	Percent/Setting
	1	Warm White	000 ⇔ 255	0~100%
	2	Cool White	000 ⇔ 255	0~100%

STD.D	Channel	Function	Value	Percent/Setting
	1	Dimmer	000 ⇔ 255	0~100%
	2	Warm White	000 ⇔ 255	0~100%
	3	Cool White	000 ⇔ 255	0~100%

STD.1	Channel	Function	Value	Percent/Setting
	1	Dimmer	000 ⇔ 255	0~100%
	2	White Macros	000 ⇔ 010	No function
			011 ⇔ 050	Studio white: 3,200 K
			051 ⇔ 080	Studio white: 3,400 K
			081 ⇔ 110	Studio white: 4,500 K
			111 ⇔ 140	Studio white: 4,900 K
			141 ⇔ 255	Studio white: 5,600 K

STD.2	Channel	Function	Value	Percent/Setting
	1	Dimmer	000 ⇔ 255	0~100%
	2	Warm White	000 ⇔ 255	0~100%
	3	Cool White	000 ⇔ 255	0~100%
	4	White Macros	000 ⇔ 010	No function
			011 ⇔ 050	Studio white: 3,200 K
			051 ⇔ 080	Studio white: 3,400 K
			081 ⇔ 110	Studio white: 4,500 K
			111 ⇔ 140	Studio white: 4,900 K
	5	Strobe	000 ⇔ 009	No function
			010 ⇔ 255	0~20 Hz

		Value	Setting	Value	Setting	Value	Setting
6	ID Address	000 ⇔ 009	All IDs	212	ID 23	235	ID 46
		010 ⇔ 019	ID 1	213	ID 24	236	ID 47
		020 ⇔ 029	ID 2	214	ID 25	237	ID 48
		030 ⇔ 039	ID 3	215	ID 26	238	ID 49
		040 ⇔ 049	ID 4	216	ID 27	239	ID 50
		050 ⇔ 059	ID 5	217	ID 28	240	ID 51
		060 ⇔ 069	ID 6	218	ID 29	241	ID 52
		070 ⇔ 079	ID 7	219	ID 30	242	ID 53
		080 ⇔ 089	ID 8	220	ID 31	243	ID 54
		090 ⇔ 099	ID 9	221	ID 32	244	ID 55
		100 ⇔ 109	ID 10	222	ID 33	245	ID 56
		110 ⇔ 119	ID 11	223	ID 34	246	ID 57
		120 ⇔ 129	ID 12	224	ID 35	247	ID 58
		130 ⇔ 139	ID 13	225	ID 36	248	ID 59
		140 ⇔ 149	ID 14	226	ID 37	249	ID 60
		150 ⇔ 159	ID 15	227	ID 38	250	ID 61
		160 ⇔ 169	ID 16	228	ID 39	251	ID 62
		170 ⇔ 179	ID 17	229	ID 40	252	ID 63
		180 ⇔ 189	ID 18	230	ID 41	253	ID 64
		190 ⇔ 199	ID 19	231	ID 42	254	ID 65
		200 ⇔ 209	ID 20	232	ID 43	255	ID 66
			210	ID 21	233	ID 44	
	211	ID 22	234	ID 45			

UNO	Channel	Function	Value	Percent/Setting
	1	Dimmer (STAT)	000 ⇔ 255	0~100%

5. Technical Information

General Maintenance

To maintain optimum performance and minimize wear, the user should clean the light fixtures frequently. Usage and environment are contributing factors in determining the cleaning frequency. As a rule, the user should clean the fixtures at least twice a month. Dust build up reduces light output performance and can cause overheating. This can lead to reduced light source life and increased mechanical wear.

CHAUVET® recommends cleaning the fixture's external optics with a soft cloth using normal glass cleaning fluid.

To clean a fixture, follow the recommendations below:

- Unplug the fixture from power.
- Wait until the fixture is cold.
- Use a vacuum (or dry compressed air) and a soft brush to remove dust collected on the external vents and reachable internal components.
- Clean all external optics and glass surfaces with a mild solution of glass cleaner or isopropyl alcohol, and a soft, lint free cotton cloth or a lens cleaning tissue.
- Apply the solution directly to the cloth or tissue and drag any dirt and grime to the outside of the lens.
- Gently polish the external glass surfaces until they are free of haze and lint.
- When cleaning units with a movable mirror, you should keep the contact with the mirror surface to a minimum to avoid scratching or damaging it.



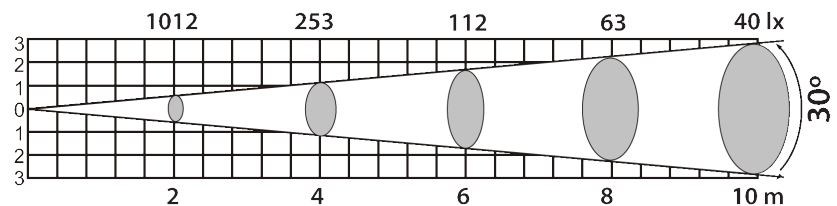
Always dry the external optics and glass surfaces carefully after cleaning them.



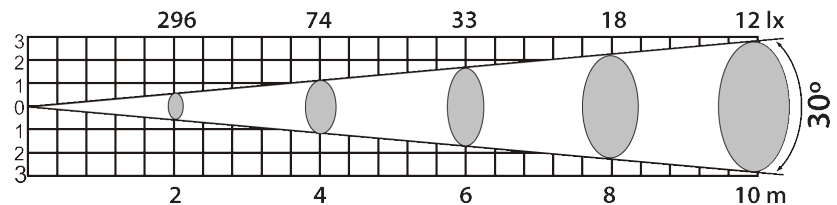
If the fixture has one or more cooling fans, refrain from spinning them using compressed air.

Photometrics

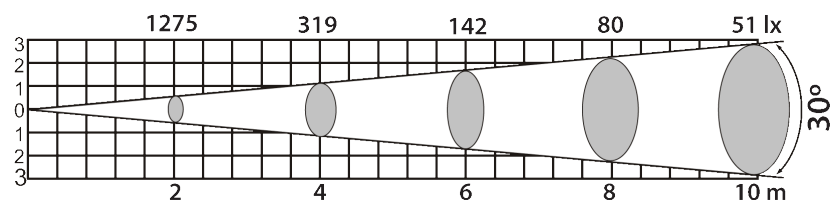
Cool White



Warm White



Warm White + Cool White



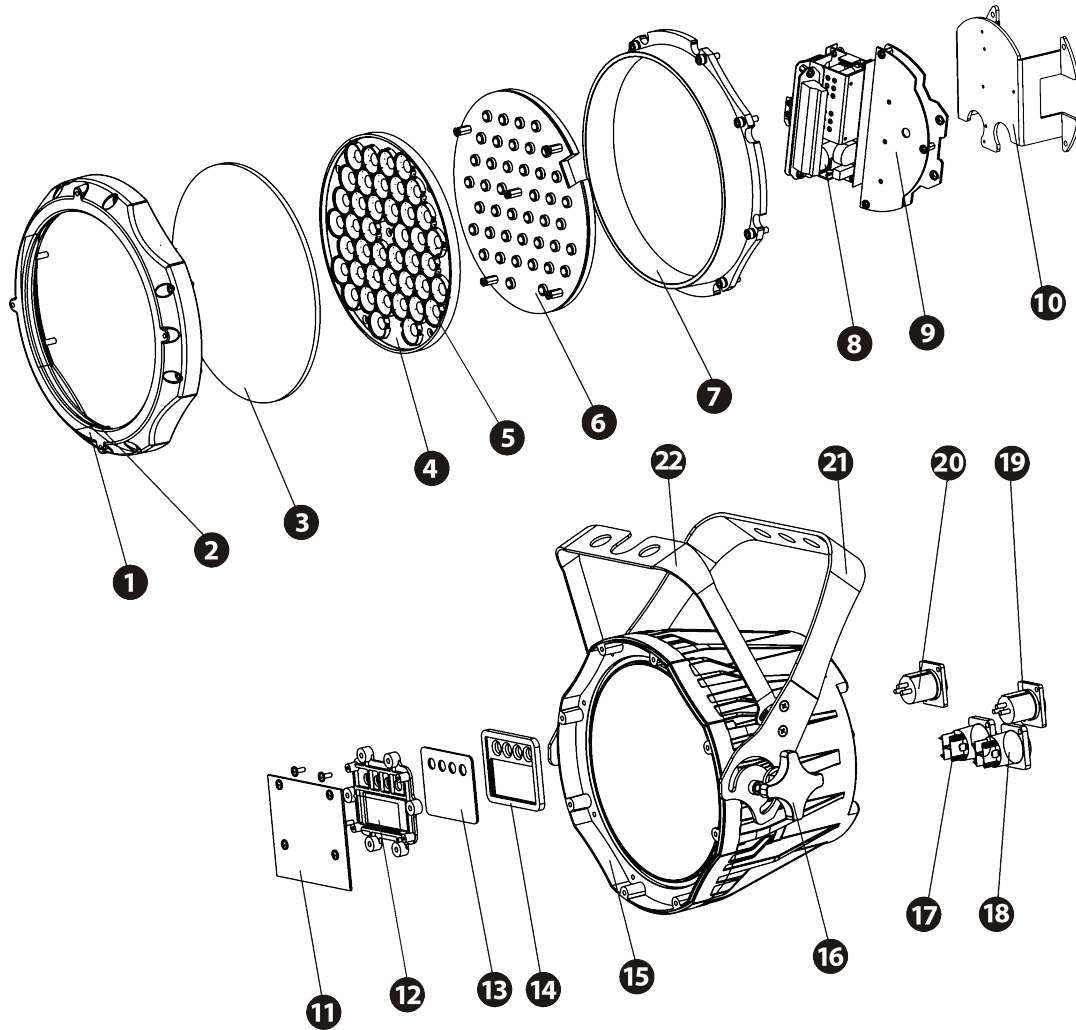
Troubleshooting Guide

Symptom	Cause(s)	Action(s)
General low light intensity	<ul style="list-style-type: none"> • Dirty lens assembly • Misaligned lens assembly 	<ul style="list-style-type: none"> • Clean the fixture regularly • Install lens assembly properly
A single white LED does not illuminate	<ul style="list-style-type: none"> • Faulty LED • Faulty LED board 	<ul style="list-style-type: none"> • Replace the LED board • Replace the LED board
A group of white LEDs does not illuminate	<ul style="list-style-type: none"> • Faulty LED • Faulty LED board • Faulty LED driver 	<ul style="list-style-type: none"> • Replace the LED board • Replace the LED board • Replace the LED driver board
None of the LEDs are illuminating	<ul style="list-style-type: none"> • Faulty LED PCB • Faulty LED Driver PCB • Faulty main PCB 	<ul style="list-style-type: none"> • Replace the LED board • Replace the LED driver board • Replace the Display / Main board
Breaker/Fuse keeps blowing	<ul style="list-style-type: none"> • Excessive circuit load • Short circuit along the power wires 	<ul style="list-style-type: none"> • Check total load placed on the electrical circuit • Check for a short in the electrical wiring
Fixture does not power up	<ul style="list-style-type: none"> • No power • Loose or damaged power cord • Blown internal fuse • Faulty internal power supply 	<ul style="list-style-type: none"> • Check for power on power outlet • Check power cord • Replace internal fuse • Replace internal power supply
Fixture does not respond to DMX	<ul style="list-style-type: none"> • Wrong DMX addressing • Damaged DMX cables • Wrong polarity on the controller • Loose DMX cables • Faulty DMX interface • Faulty Main PCB 	<ul style="list-style-type: none"> • Check Control Panel and unit addressing • Check DMX cables • Check polarity switch settings on the controller • Check cable connections • Replace Main PCB • Replace Main PCB
DMX signal problems	<ul style="list-style-type: none"> • Non DMX cables • Bouncing signals • Long cable / low level signal • Too many fixtures • Interference from AC wires 	<ul style="list-style-type: none"> • Use only DMX compatible cables • Install terminator as suggested • Install an optically coupled DMX splitter right after fixture with strong signal • Install an optically coupled DMX splitter after unit #32 • Keep DMX cables separated from power cables or black lights



If you still experience technical problems after trying the above solutions, contact CHAUVET® Technical Support.

Exploded View



Item	Description	Item	Description
1	Front cover	12	Button Module
2	Rubber seal	13	Display protection plate
3	Front tempered glass	14	Button seal
4	Lens holder	15	Casing
5	15° lens	16	Adjusting stainless steel knob
6	LED board	17	NEUTRIK® PowerCON B connector
7	Heat sink	18	NEUTRIK® PowerCON A connector
8	Power supply	19	3-pin DMX In socket
9	Driver board	20	3-pin DMX Out socket
10	Power connection board	21	Main support
11	Display / Main board	22	Secondary support

Returns Procedure

The user must send the merchandise prepaid, in the original box, and with its original packing and accessories. CHAUVET® will not issue call tags.

Call CHAUVET® and request a Return Merchandise Authorization Number (RMA #) before shipping the fixture. Be prepared to provide the model number, serial number, and a brief description of the cause for the return.

The user must clearly label the package with a Return Merchandise Authorization Number (RMA #). CHAUVET® will refuse any product returned without an RMA #.



DO NOT write the RMA # directly on the box. Instead, write it on a properly affixed label.

Once you receive the RMA #, please include the following information on a piece of paper inside the box:

- Your name
- Your address
- Your phone number
- The RMA #
- A brief description of the problem

Be sure to pack the fixture properly. Any shipping damage resulting from inadequate packaging will be the customer's responsibility. As a suggestion, proper UPS packing or double-boxing is always a safe method to use.



CHAUVET® reserves the right to use its own discretion to repair or replace returned product(s).

Claims

The carrier is responsible for any damage incurred during shipping to this product or any part that shipped with it. Therefore, if the received merchandise appears to have damages caused during shipping, the customer must submit the damage report and any related claims with the carrier, not CHAUVET®. The customer must submit the report upon reception of the damaged merchandise. Failure to do so in a timely manner may invalidate the customer's claim with the carrier.

For other issues such as missing components or parts, damage not related to shipping, or concealed damage, the customer must make claims to CHAUVET® within seven (7) days of receiving the merchandise.

Contact Us

World Headquarters

General Information

CHAUVET®
 5200 NW 108th Avenue
 Sunrise, FL 33351
 Voice: (954) 929-1115
 Fax: (954) 929-5560
 Toll free: (800) 762-1084

Technical Support

Voice: (954) 929-1115 (Press 4)
 Fax: (954) 756-8015

World Wide Web

www.chauvetlighting.com

Technical Specifications

Dimensions and Weight

Length	Width	Height	Weight
11.4 in (290 mm)	9.6 in (245 mm)	8.0 in (205 mm)	10.6 lbs (4.8 kg)

Note: Dimensions in inches rounded to the nearest decimal digit.

Power

Power Supply Type	Range	Voltage Selection
Switching (internal)	100~240 V, 50/60 Hz	Auto-ranging

Parameter	120 V, 60 Hz	230 V, 50 Hz
Consumption	50.4 W (0.7 A)	50.7 W (0.4 A)
Inrush current	0.2 A	0.4 A
Power linking	12	24

Power I/O	Input	Output
Connectors	NEUTRIK® powerCON A	NEUTRIK® powerCON B
Cord plug	Edison	N/A
Cord length	60 in (1,524 mm)	N/A

Light Source

Type	Power	Lifespan
LED	1 W	50,000 hours

Color	Quantity	Current
Warm white	24	250 mA
Cool white	18	250 mA

Photo Optic

Parameter	Standard 30° Optics	Optional 15° Optics
Illuminance @ 5 m	204 lx	656 lx
Beam angle	24.8°	17.4°
Field angle	60.2	32.4°

Thermal

Maximum External Temp.	Cooling System
104° F (40° C)	Convection

DMX

I/O Connectors	Connector Type	Channel Range
3-pin XLR	Sockets	1, 2, 3, and 6

Ordering

COLORado™ 1 VW Tour	Optional 15° Optics
COLORADO1VWTOUR	CLENS1542



CHAUVET®
5200 NW 108th Avenue
Sunrise, FL 33351 (USA)
(800) 762-1084 – (954) 929-1115
FAX (954) 929-5560
www.chauvetlighting.com

COLORado™ 1 VW Tour User Manual Rev. 01d
October 2010



It's Green Thinking